



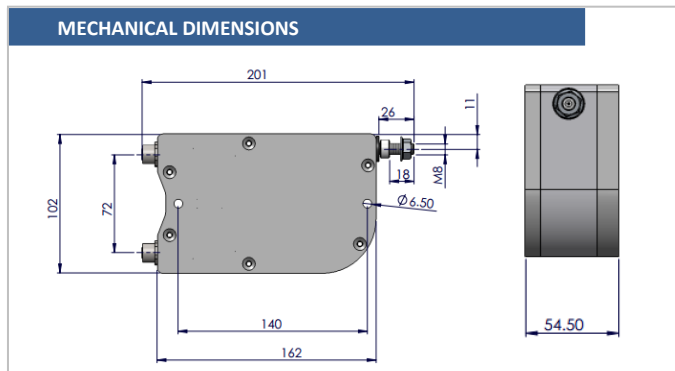
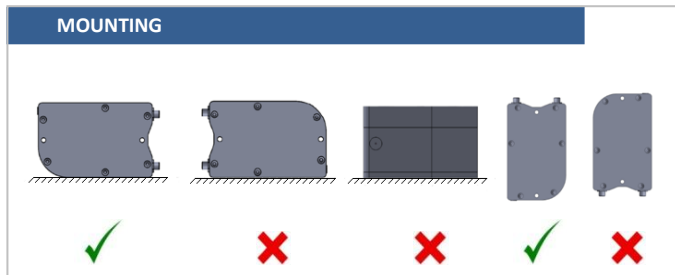
AWP 810 Series Wire Potentiometers

- Measurement length 2000 mm to 5000 mm
- Maximum 42 VDC Power Supply
- Small size
- High strength stainless steel wire
- 0,5 m/s maximum speed
- IP67 Protection class
- Shock/Vibration resistant
- 3 meters cable
- Aluminum anodized body


AWP810 series wire potentiometer is converted the linear movement to potentiometric output. AWP810 is easily used in outdoor environments with IP67 or optional protection class IP68. Optionally, another feature of this model, through to double potentiometer inside, if one of products faults it can works with one potentiometer. There are different options in models up to 5000mm and specially mainly used top of car equipment systems.

TECHNICAL SPECIFICATIONS

Power Supply	Max. 42 VDC
Stroke Length	2000 , 3000 , 4000 , 5000 mm (Please ask us for other)
Maximum Speed	0,5 m/s
Resistance	5K Ω or optional 10K Ω
Output	Potentiometric, 4..20mA, 0..10V or CANopen
Linearity	$\pm 0,25$ % FS
Protection Class	IP67
Process Temperature	- 40 to +85 °C
Relative Humidity	%10 to %90
Weight	< 2200 grams
Electrical Connection	3 meters cable (Please ask us for other)



Signal	M12 Socket	Cable
NC	Pin 1	Shield
+ Power Supply	Pin 2	Red
0 V	Pin 3	Black
Signal Output	Pin 4	Yellow
NC	Pin 5	Green



PRODUCT CODING

Model AWP 810	Resistance 5K : 5K Ω (Please ask us for other)	Output Signals No Code : Potentiometric V : 0-10 VDC Analog Voltage A : 4-20 mA Analog Current C : Can Open (CiA DS406)
AWP810	5K	
XXX	3M	-
Stroke Length 2000 : 2000 mm 3000 : 3000 mm 4000 : 4000 mm 5000 : 5000 mm	Cable Length S12 : M12 Socket 3M : 3 meters (standard) 5M : 5 meters 10M : 10 meters	